

Automate™ Radio Communication Motor & Controls for Custom Roller Shades

Wire-free Rechargeable Motor System

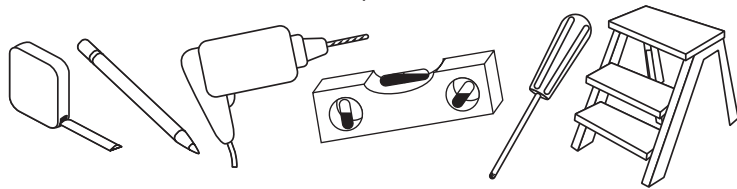


INSTALLATION INSTRUCTIONS

INSTALL THE SHADE BEFORE ATTEMPTING TO OPERATE THE MOTOR.

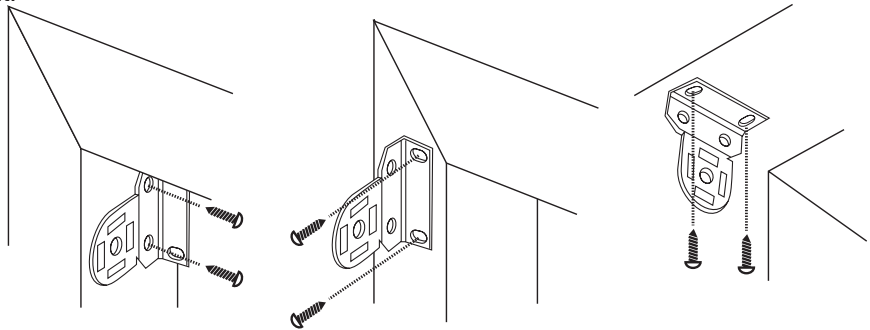
Tools Required:

Tape measure, pencil, drill, drill bits, screw driver, step stool or ladder.



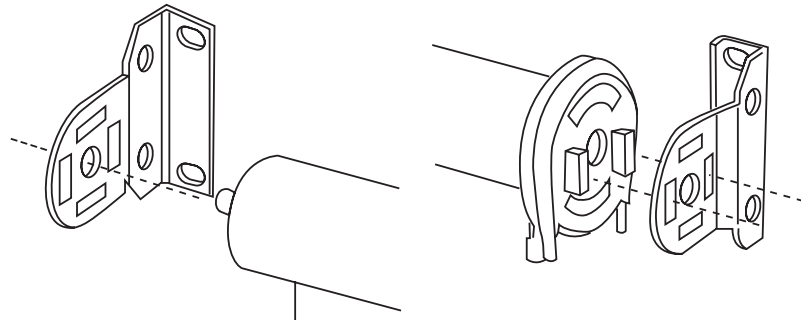
Note: use a 5/64" drill bit to pre-drill the screw holes (for attachment to a wall stud or header board). Use Wall Anchors (not included) for hollow dry wall or plaster mounting.

Step 1. Mount the Brackets [Note: If your shade has a Cassette Valance (the shade is pre-mounted in a decorative aluminum cover) locate the special instructions for installing the Cassette] Attach the brackets to the window frame, molding or ceiling as shown. The brackets are "universal" – there are no "right" and "left" brackets. Mark the screw locations with a pencil – pre-drill the screw holes using a 5/64" drill bit.



Step 2. Install the Shade

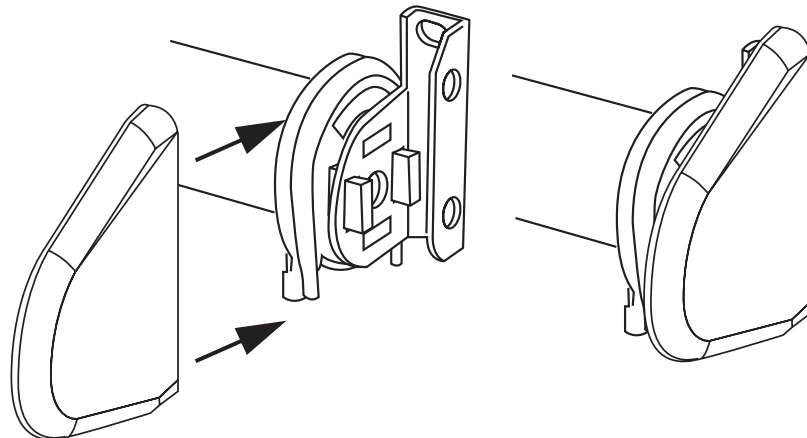
There are Hook Arms on the motor head side of the shade – these must be facing downward when the shade is attached to the brackets. Push the spring loaded pin end into the hole in the center of the left bracket. Slide the motor head upward into the other bracket so that the hook arms go into the hook arm receiver holes of the bracket. Once the hook arms are through the holes, gently pull down until the hook arms have locked securely to the bracket.



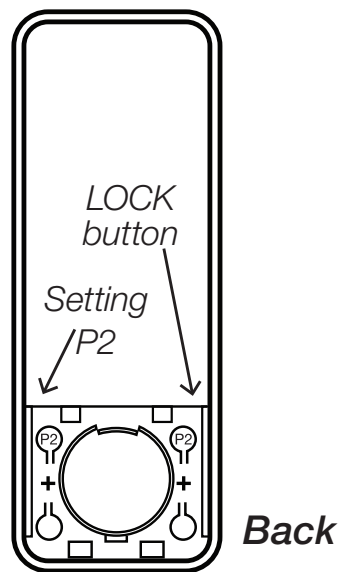
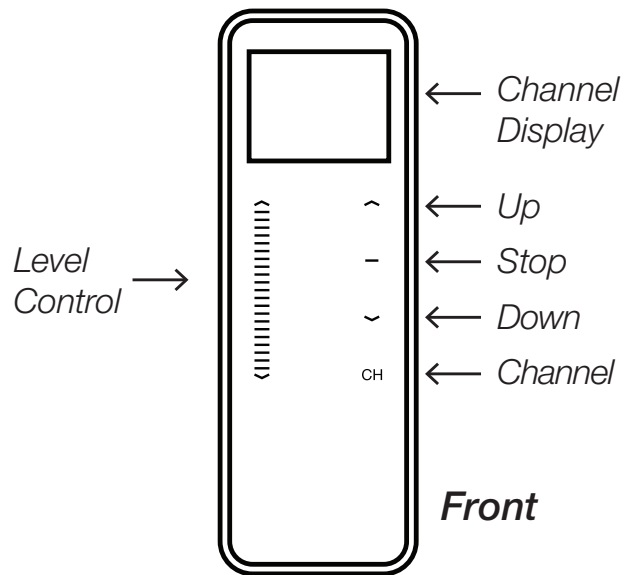
Step 3. Install the Bracket Covers

- For Outside Mount Shades Only!

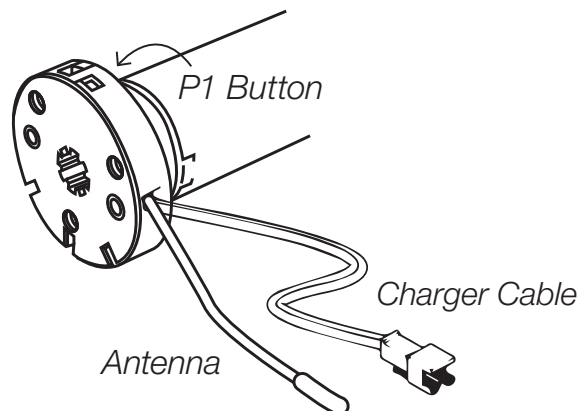
Bracket covers slide onto the brackets as shown until they snap into position.



Remote Transmitter



Motor Head



Automate™ Radio Communication Motor & Controls for Custom Roller Shades

Wire-free Rechargeable Motor System

PROGRAMMING AND OPERATION OF AUTOMATE™ RADIO TECHNOLOGY MOTORIZED SHADES

IMPORTANT: The Upper & Lower limit positions (full UP & DOWN positions) have been pre-set at the factory – also, a Channel Number has been assigned to each shade - therefore, it is not necessary to perform Steps 2, 3 & 4 below – however, we recommend that you read these to familiarize yourself with the basics of programming the motor and remote control and to fully understand the function of your motorized shade. Also, note that the batteries in the motor are fully charged at the factory prior to shipment.

Step 1. Testing/Activating the Motor

Press and immediately release the P1 button on the motor (release within 2 seconds). The motor will move the shade to one of the pre-set limit positions.

Installers note: when you receive the shade, the motor is in SLEEP MODE, which eliminates the possibility of the unintended activation of the motor during shipment. The motor test takes it out of Sleep Mode.

Step 2. Channel Selection for Each Shade [Multi Channel Remote]

When you receive your shades the channel number pre-assigned to each shade will be marked on the shade and/or carton. Per the notice above, it is not necessary to perform Steps 2, 3 & 4 as these settings are done at the factory and will require no adjustment under normal circumstances.

A channel number must be assigned to each motor/shade. The assigned numbers should be sequential starting with #1 (1, 2, 3 etc.)

Press & release the CH (Channel) button – the LCD screen will begin to flash – within 4 seconds press up or down to select the desired channel – press CH to set/confirm.

Group Control using CH '0' – Channel '0' is pre-set to simultaneously control all shades paired within your multi-channel remote controller.

To hide unused channels (unassigned channels will not be visible on the remote): press and hold STOP & CH simultaneously – CH15 will begin flashing – continue holding CH and scroll up to the last assigned channel – press STOP to confirm – flashing will stop.

Example: if you have 8 shades, scroll to CH8 – press and release STOP and wait for the remote to stop blinking – the remote will now be set to scroll from CH0 to CH8 (CH9 through CH15 will no longer be visible on the remote).

Step 3. Programming/Mating the motor to the remote control transmitter

REMINDER: the motor and remote have been pre-set at the factory – programming information for Steps 2, 3 & 4 is provided as background information only.

- Identify the head of the motor housing on the right side of the shade (see drawing) - Press the P1 button for approximately 2 seconds – the shade will emit an audible beep and will oscillate (a quick back and forth movement of the shade).
- Press and hold the STOP button on the remote (see drawing for approximately 2 seconds – the motor will beep 3 times and will oscillate twice – the motor and transmitter are now mated.

Step 4. Setting UP or DOWN Limit Positions

NOTE: Upper and lower limit positions have been pre-set at the factory - programming information for Steps 2, 3 & 4 is provided as background information only.

- Set the UP position:
Press the UP arrow to move the shade to the desired upper limit position – press UP and STOP simultaneously for approximately 5 seconds – the shade will beep 3 times and oscillate – the upper limit is now set.
- Set the DOWN position:
Press the DOWN arrow to move the shade to the desired lower limit position – press DOWN and STOP simultaneously for approximately 5 seconds – the shade will beep 3 times and oscillate - the lower limit is now set.
- Adjusting Upper Limit Position: To clear the already set-up limit position, Press UP and STOP simultaneously for approximately 8 seconds until the motor beeps once and oscillates twice – move the shade to the new upper limit position and then press UP and STOP simultaneously for approximately 8 seconds until the shade beeps 3 times and oscillates twice – the new upper limit is now set.
- Adjusting Lower Limit Position: To clear the already set-up limit position, Press DOWN and STOP simultaneously for approximately 8 seconds until the motor beeps once and oscillates twice – move the shade to the new lower limit position and then press DOWN and STOP simultaneously for approximately 8 seconds until the shade beeps 3 times and oscillates twice – the new lower limit is now set.

NOTE: after all limits are set, see the remote control operating instructions below.

Step 5. Setting an Optional Intermediate "Favorite" Position

Move the shade to the desired position – remove the battery cover on the back of the controller and press the P2 button – the motor will beep and oscillate once – press STOP – the motor will beep and oscillate once - press

STOP again – the motor will beep 3 times and oscillate twice - the intermediate position is now set. To delete the intermediate position: press the P2 button – press STOP – press STOP again.

Step 6. To Delete All Settings (reset to factory settings)

Press & hold P1 on the motor head for approximately 14 seconds – the motor will oscillate once, followed by a pause – the motor will oscillate a second time, followed by another pause – the motor will oscillate a third time – there will be 4 beeps and the motor will oscillate one last time – all settings are now deleted.

Step 7. Lock Button

Pressing the Lock Button on the rear of the remote makes it impossible to change any programmed settings without unlocking the remote. This is an option to be considered if, for example, young children have access to the remote.

**OPERATING THE SHADE
USING THE REMOTE CONTROL TRANSMITTER**

Press the UP/DOWN button once and the shade will move to the upper or lower limit position.

Press STOP to position the shade manually.

When the up position has been reached, the UP button becomes non-functional, and when the down position has been reached the DOWN button becomes non-functional.

Press and hold STOP for approximately 2 seconds to send the shade to the “Favorite” intermediate position.

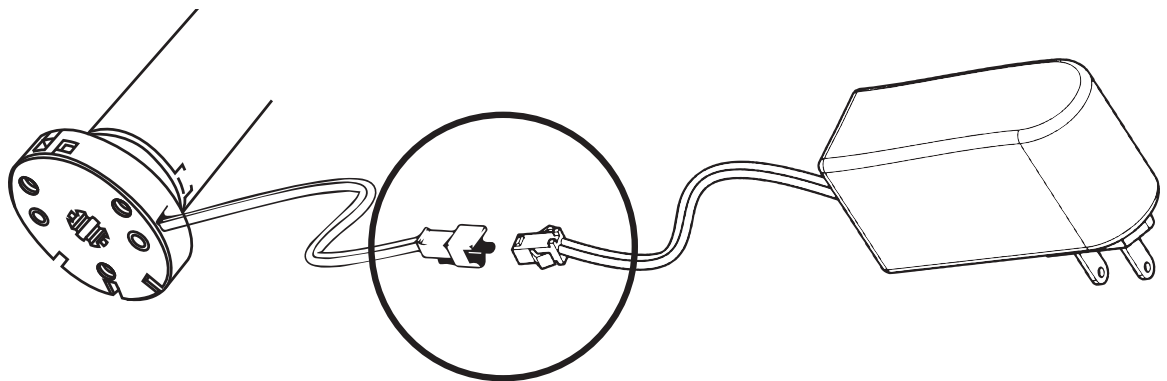
The Levelling Control Bar – slide a finger up or down on the Level Control bar on the remote to move the shade(s) as desired. When used to control a group of shades (CH ‘0’), they will all align to the same position when using the Level Control.

Operating the Shade - Using the Automate™ Wi-Fi Hub & App

Carefully follow the instructions that came with the Wi-Fi Hub, and the instructions provided when you install the App.

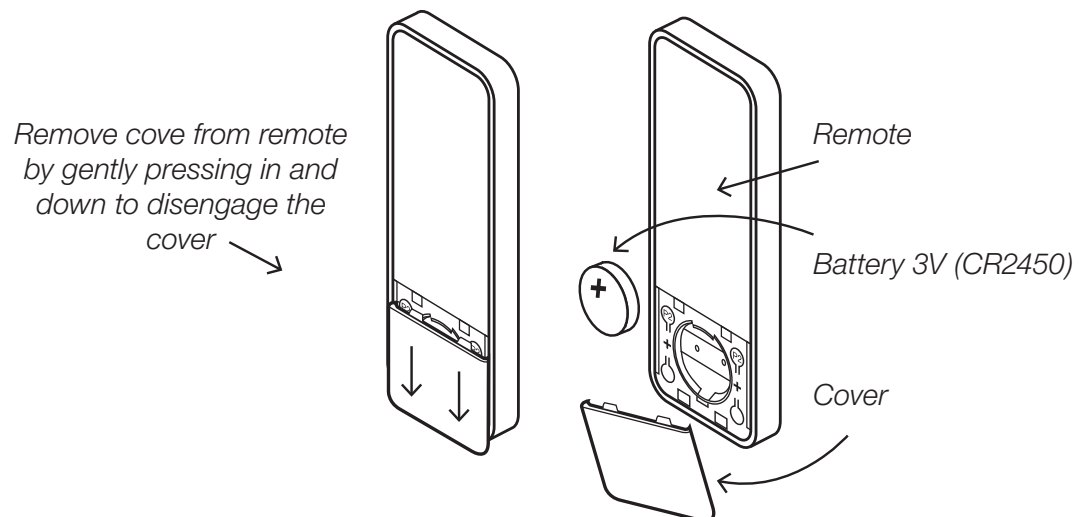
Re-Charging the Batteries

Connect the AC Charger to the Charger Cable attached to the motor head – charge for 6 hours.



Installation/Replacement of the Remote Control Battery

Remove the cover on the rear of the remote – install a 3V [CR2450] disk type battery as illustrated.

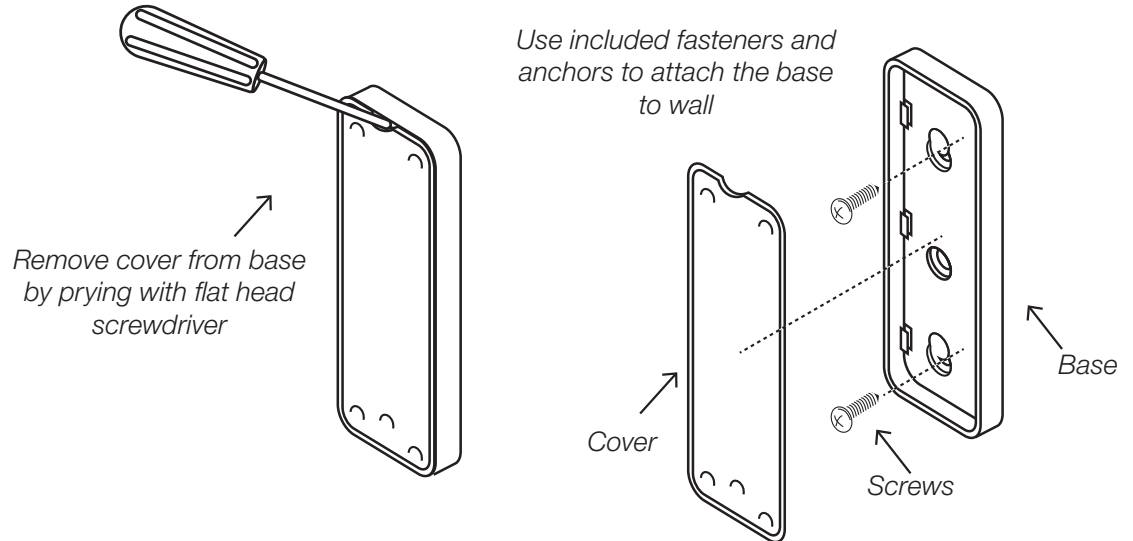


Automate™ Radio Communication Motor & Controls for Custom Roller Shades

Wire-free Rechargeable Motor System

Installation of Optional Wall Mount Holder

Remove the cover from the base using a small flat head screw driver – attach the base to any wall using the hardware provided as illustrated. Replace the cover by pressing the snap latches into the base. Magnets hold the remote in place on the Wall Mount Holder.



CUSTOMER SERVICE: 1-800-264-1190

General Safety Instructions for Motorized Shades

- Do not expose the motor or transmitter to moisture or extreme temperatures
- Do not allow children to play with this device
- Use or modification outside the scope of this instruction manual will void the warranty
- If cable or power connector is damaged, do not use
- Keep the antenna straight and clear from metal objects

Statement Regarding FCC Compliance

This device complies with Part 15 of the FCC rules. Operation is subject to the following two conditions:

- 1) This device may not cause interference, and
- 2) This device must accept any interference received, including interference that may cause undesired operation.

Note:

This equipment has been tested and found to comply with 15 of the FCC Rules. These limits are designed to provide reasonable protection against harmful interference in a residential installation. This equipment generates, uses and can radiate radio frequency energy and, if not installed and used in accordance with the instructions, may cause harmful interference to radio communications.

However, there is no guarantee that interference will not occur in a particular installation. If this equipment does cause harmful interference to radio or television reception, which can be determined by turning the equipment off and on, the user is encouraged to try to correct the interference by one or more of the following measures:

- Reorient or relocate the receiving antenna.
- Increase the separation between the equipment and the receiver.
- Connect the equipment into an outlet on a circuit different from that to which the receiver is connected.
- Consult the dealer or an experienced radio/TV technician for help.

Any changes or modifications not expressly approved by the party responsible for compliance could void the users authority to operate the equipment.

Cleaning

Dusting: Vacuum using the soft brush attachment.

Washing (applies to vinyl or vinyl coated shade material): Use a cloth, sponge or soft brush and a mild detergent. Use warm or cold water, not hot water. Place toweling on the floor or window sill and wash the blind in sections.

REPLACEMENT PARTS

In the event that replacement parts are ever needed, you may call: 1-800-264-1190

Please be sure to provide the following information, if possible:

- The complete model or catalog number of your product
- A description of the product
- A description of the part needed

LIMITED LIFETIME WARRANTY

The enclosed product is warranted to the original residential retail purchaser as long as the product remains in the original window.

Covered

Lifetime: Entire product against manufacturing defects (i.e. a flaw in the product design, materials, or workmanship that causes the product to no longer function).

3 Years: Cords, including internal cords such as those found in cordless blinds or shades.

5 Years: All Fabric

5 Years: Premium Battery Powered Motors

Not Covered

1. Normal wear and Tear

2. Any product that fails due to:

- Abuse
- Alterations
- Exposure to salt air
- Improper cleaning
- Improper installation
- Misapplication
- Accident
- Damage from pests/insects/pets
- Extraordinary use
- Improper handling
- Improper operation
- Misuse

3. Natural Wood Products that have:

- Loss of color intensity
- Variations in color, grain or texture
- Warping of wood slats in high humidity areas

4. Costs associated with:

- Product removal
- Transportation to and from the retailer
- Brand label removal
- Product re-measure
- Product reinstallation
- Shipping
- Incidental or consequential damages

In the event there are multiple blinds/shades in the same room, only the defective blind/shade will be replaced

To Report Shipping Damage:

If damage occurred during shipping, call the place of purchase and report within 7 calendar days, or you may be denied credit for your damaged product.

To Obtain Service:

If you suspect this product has a manufacturing defect in materials or workmanship:

- Locate the sales receipt
- Call place of purchase

Any unauthorized returns will not be accepted.

Warranty Remedy:

This shall be your sole remedy under this limited warranty.

If this product is found to have a manufacturing defect in materials or workmanship, we will, at our discretion, do one of the following:

- Repair the product
- Replace the product
- Refund the cost of the product

Colors may vary from lot to lot and may not exactly match sample swatches or previous purchases.

Discontinued items or color selections will be replaced with the closest equivalent current product.

Your rights under state law: This lifetime limited warranty gives you specific legal rights, and you may have

Automate™ Radio Communication Motor & Controls for Custom Roller Shades

Wire-free Rechargeable Motor System

other rights which vary from state to state. Some states do not allow limitations on how long a warranty lasts, so the above limitations may not apply to you. No agent, representative, dealer or unauthorized employee has the authority to increase or alter the obligation of this warranty. This lifetime limited warranty supersedes any previous versions